

AQ-SPK6.5-4HB ULTRA SERIES WATERPROOF SPEAKERS with ADJUSTABLE TWEETER

FOR HARLEY-DAVIDSON® MOTORCYCLES



Adjustable tweeter direction to improve sound quality when travelling at speed!



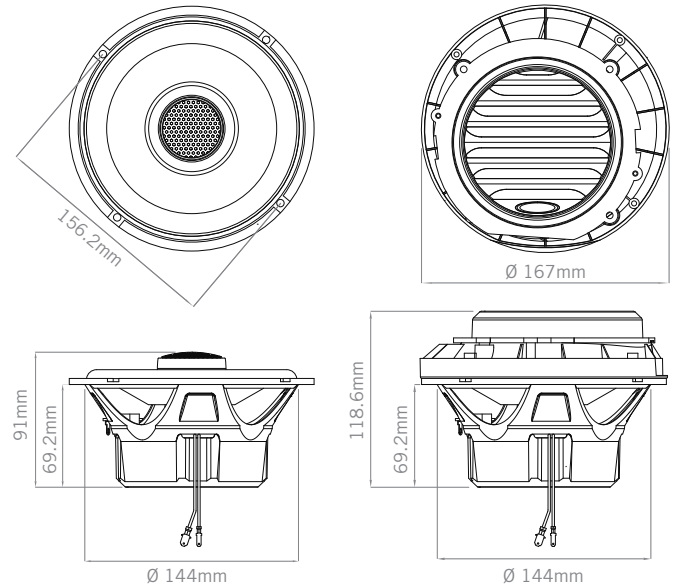
Includes Grill, Mounting Ring & Hardware

1998-2013 models require grill & mounting ring (included).
2014+ models do not require grill & mounting ring.

SPECIFICATIONS

Type:	Full-range, 2-way waterproof speaker
Cone Size:	6.5"
Tweeter Size:	1" / 25mm
Outside Grill Diameter:	167mm
Mounting Hole Diameter:	144mm
Mounting Depth:	69.2mm
Impedance:	4 Ohm
Frequency Response:	60Hz - 20,000 Hz
Cross-Over	12db/Octave
Sensitivity:	87dB
Power (max):	360W (2x 180W)
Power (RMS):	180W (2x 90W)
Waterproof:	Yes
Grill Material:	UV Plastic, 500hrs stable
Basket Material:	Aluminum
Cone Material:	Complex Fibre
Tweeter Material:	Silk Neodymium
Magnet Material:	14.3oz Neodymium
Additional Features:	Adjustable Tweeter direction
Accessories:	Grill, Mounting Ring & Hardware (all included)

DIMENSIONS



Aquatic AV

282 Kinney Drive
San Jose, CA 95112, USA

E-mail: info@aquaticav.com

US & Canada: 1 877 579 2782

International: +1 408 559 1668

Fax: +1 408 559 0125

www.aquaticav.com

Design and specification subject to change without notice. E&OE

Aquatic AV © 2017